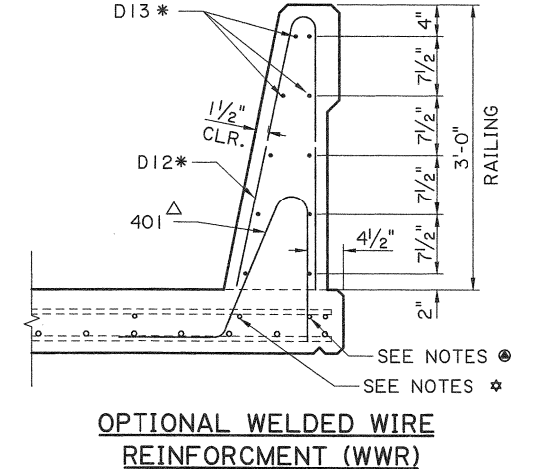
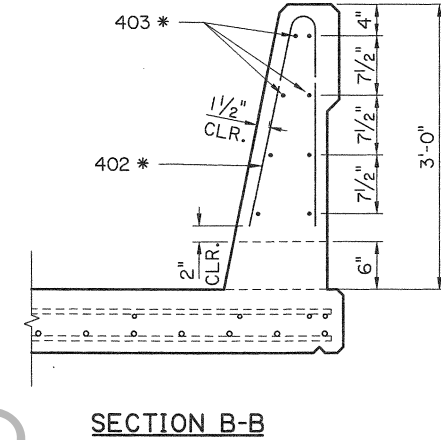
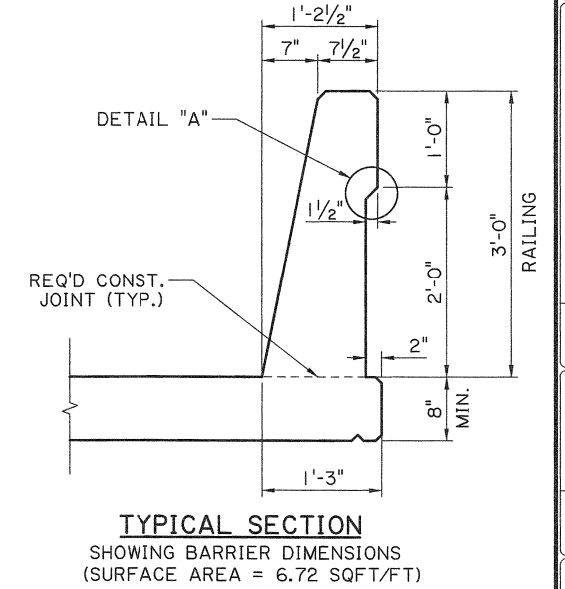
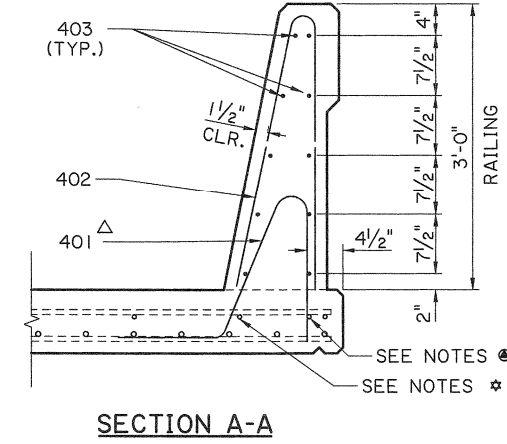
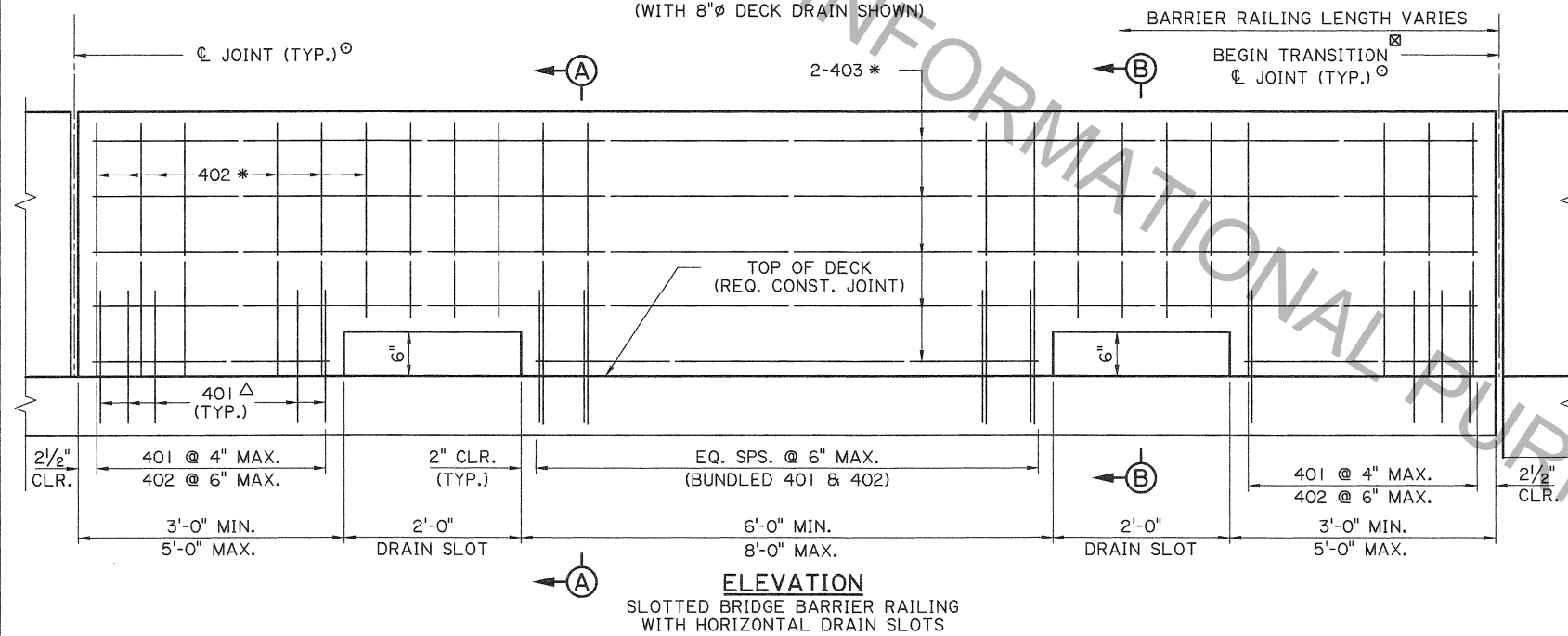
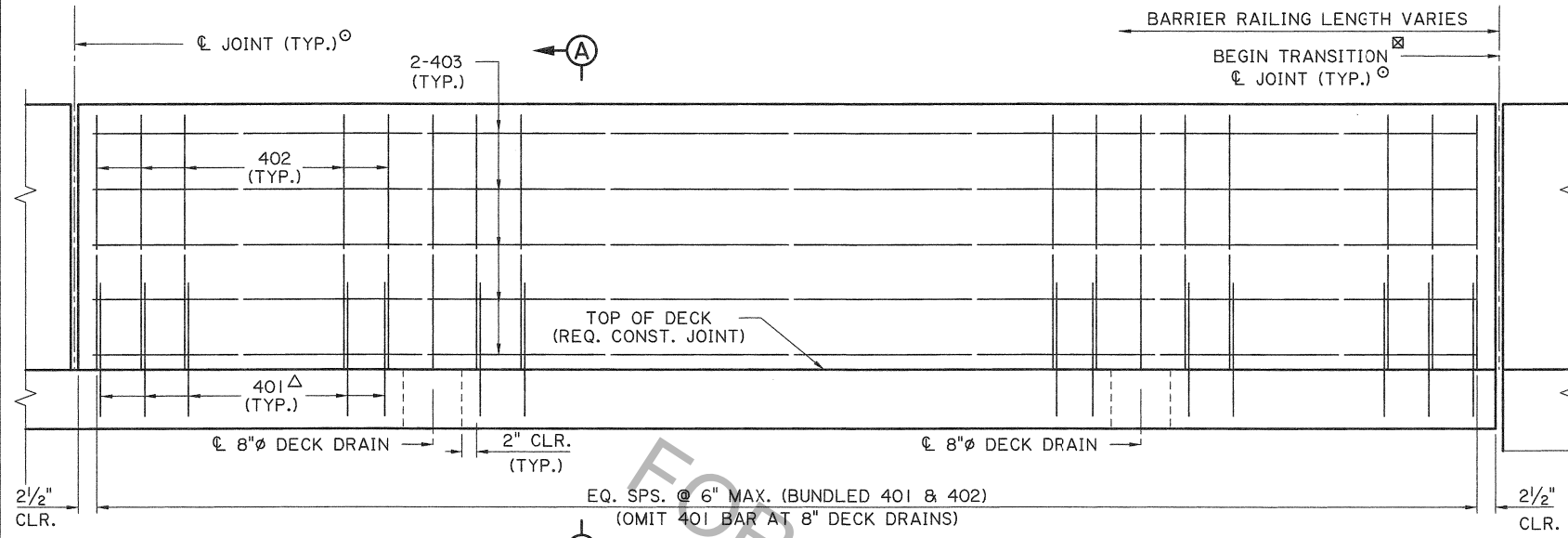


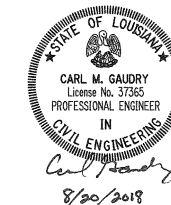
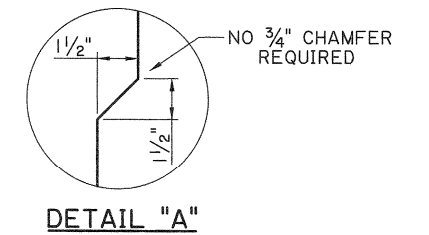
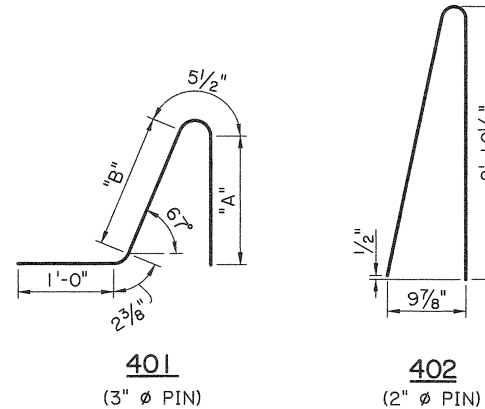
8/22/2018 10:36
IP_PWP:c0493092\BD.2.6.1.3.01_36in Single Slope Bridge Barrier (raster).dgn



NOTES:

1. SEE "BRIDGE BARRIER COMMON - GENERAL NOTES & INDEX" SHEET FOR GENERAL BRIDGE BARRIER NOTES.
2. THIS RAIL HAS BEEN SUCCESSFULLY EVALUATED BY FULL-SCALE CRASH TESTING TO MEET MASH TL-4 CRITERIA.
3. REINFORCING STEEL DIMENSIONS SHOWN ARE APPLICABLE FOR DECK THICKNESSES SHOWN IN TABLE. ADJUSTMENTS SHALL BE MADE FOR DECKS WITH OTHER THICKNESSES. SEE SPAN DETAILS FOR DECK THICKNESS.
4. DEFORMED WELDED WIRE REINFORCEMENT (WWR) SHALL BE GRADE 70 AND MEET SECTION 1009 WHEN SUBSTITUTED FOR BARS 402 AND 403, AS SHOWN.
- Δ 5. OMIT 401 BAR AT 8" DECK DRAINS AND AT BARRIER DRAIN SLOTS.
- ⊠ 6. REFER TO BRIDGE GENERAL PLAN FOR BARRIER RAILING TRANSITION TYPE. SEE TRANSITION DETAILS FOR MORE INFORMATION.
- 7. 1" MINIMUM BARRIER JOINT. WHEN COINCIDENT TO SPAN EXPANSION JOINTS, JOINT SHALL BE EQUAL TO SPAN JOINT WIDTH.
- * 8. CUT WHERE REQUIRED TO CLEAR DRAIN SLOTS, MAINTAIN 6" MAX. SPACING OF 402 BAR OVER DRAIN SLOTS.
- 9. AT THE CONTRACTOR'S OPTION, AN ADDITIONAL BAR CAN BE PLACED IN THE DECK TO AID REBAR PLACEMENT.
- * 10. TOP LONGITUDINAL SLAB BAR MAY BE ADJUSTED Laterally ±3" TO TIE REINFORCING.

401 BAR DIMENSIONS		
DIMENSION	A	B
8" DECK	1'-4 1/4"	1'-5 1/4"
8 1/2" DECK	1'-4 3/4"	1'-5 7/8"
9" DECK	1'-5 1/4"	1'-6 3/8"
9 1/2" DECK	1'-5 3/4"	1'-7"
13" SLAB SPAN	1'-8 3/4"	1'-10 1/4"
14 1/2" SLAB SPAN	1'-9 5/8"	1'-11 1/4"



SHEET NUMBER

PARISH PROJECT

DESIGNED: S. MAZUR
CHECKED: C. GAUDRY

CONTROL SECTION: S. MAZUR
CHECKED: C. GAUDRY

REVIEWED: K. BRAUNER
SERIES # 1 OF 1

BY

NO. DATE REVISION OR CHANGE ORDER DESCRIPTION

BRIDGE BARRIER DETAILS
36" SINGLE SLOPE
36SS

BD.2.6.1.3.01

DOTD BRIDGE DESIGN